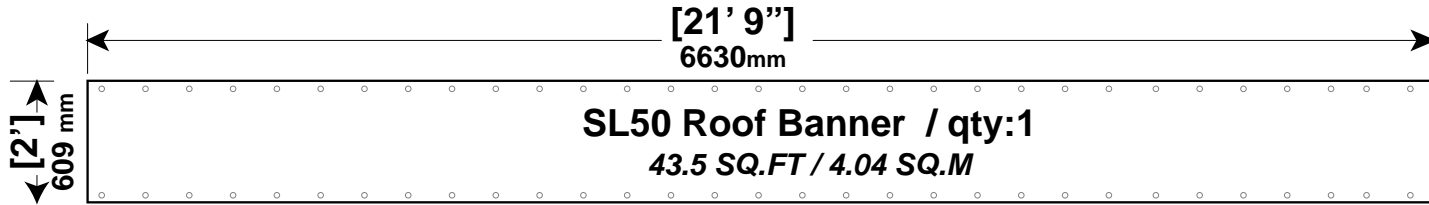




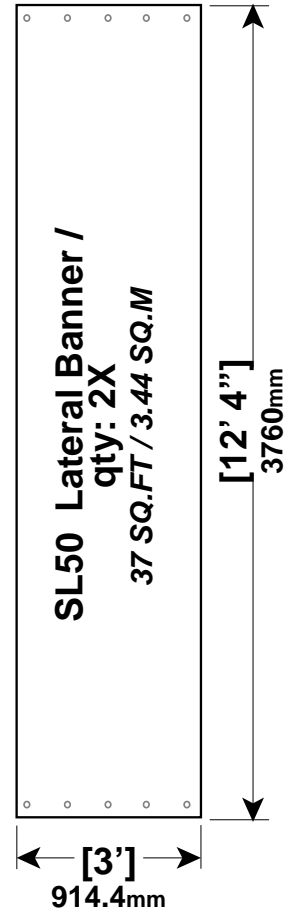
info@Stageline.com  
www.Stageline.com  
Tel: 1-800-267-8243

# Stageline SL50

50H1



50S1



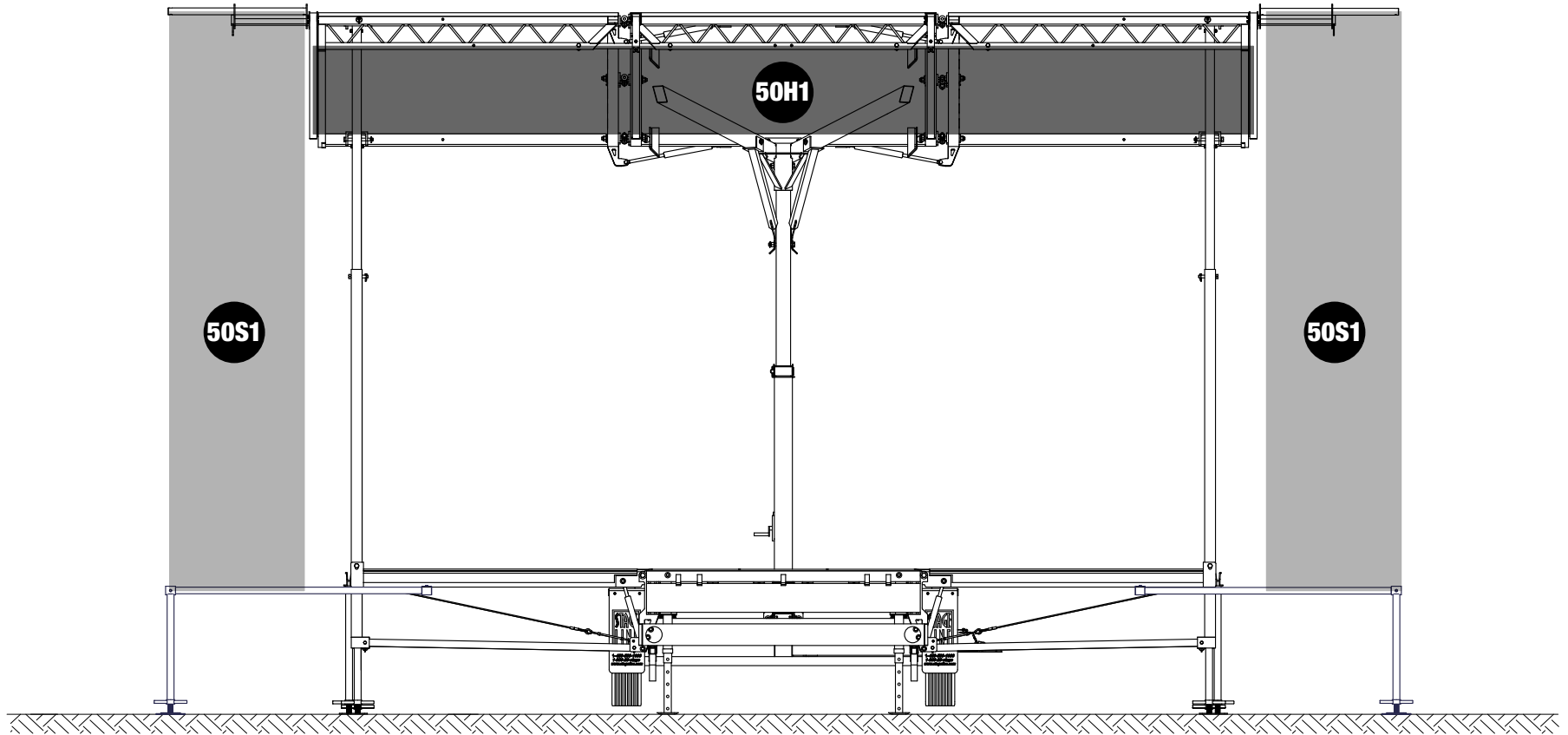
## Suggested Banner Size

© 2013 - All rights reserved, Stageline Mobile Stage Inc. Any and all forms of adaptation or reproduction of this document including plans and drawings found herein, in whole or in part, are strictly forbidden without the written authorisation of Stageline Mobile Stages.



info@Stageline.com  
www.Stageline.com  
Tel: 1-800-267-8243

# Stageline SL50



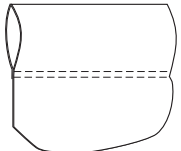
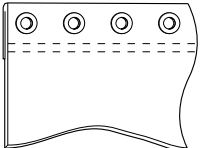
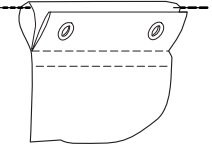
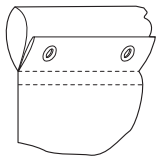
## Banner Positions

© 2013 - All rights reserved, Stageline Mobile Stage Inc. Any and all forms of adaptation or reproduction of this document including plans and drawings found herein, in whole or in part, are strictly forbidden without the written authorisation of Stageline Mobile Stages.



info@Stageline.com  
 www.Stageline.com  
 Tel: 1-800-267-8243

# Stageline SL50

	<b>50H</b>		<b>50S</b>	
	TOP	BOTTOM	TOP	BOTTOM
 →	⊘	⊘	⊘	⊘
 →				
 →	⊘	⊘	⊘	⊘
 →	⊘	⊘	⊘	⊘

Sleeve / Pocket

Grommet

Sleeve with Cable

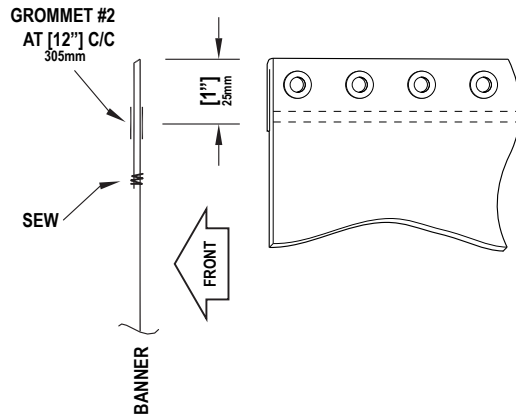
Pocket w/ Grommet

⊘:Finition not available

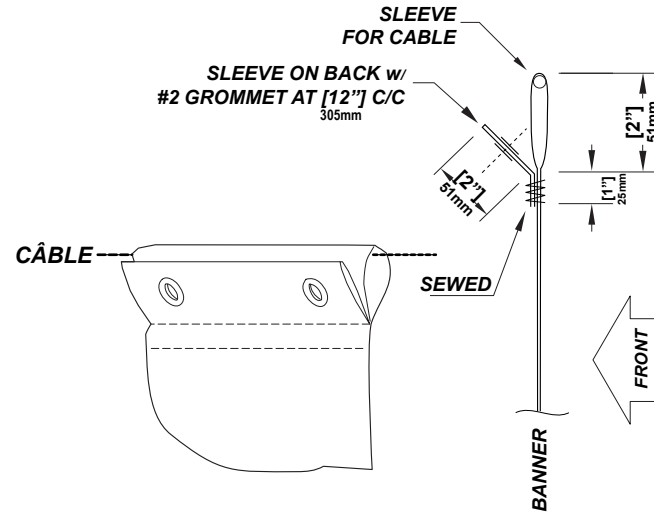
## Finitions

© 2013 - All rights reserved, Stageline Mobile Stage Inc. Any and all forms of adaptation or reproduction of this document including plans and drawings found herein, in whole or in part, are strictly forbidden without the written authorisation of Stageline Mobile Stages.

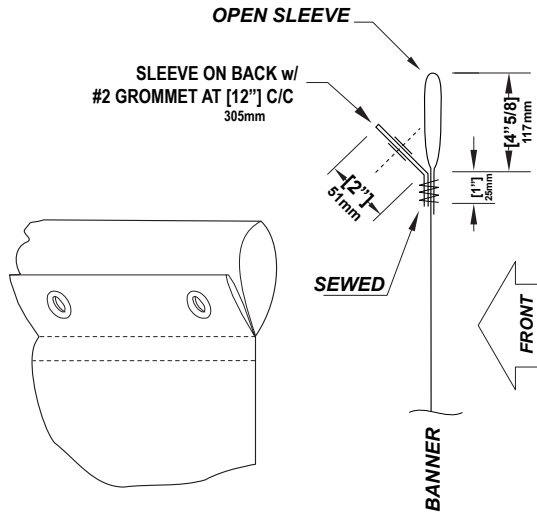
**Finition Styles**



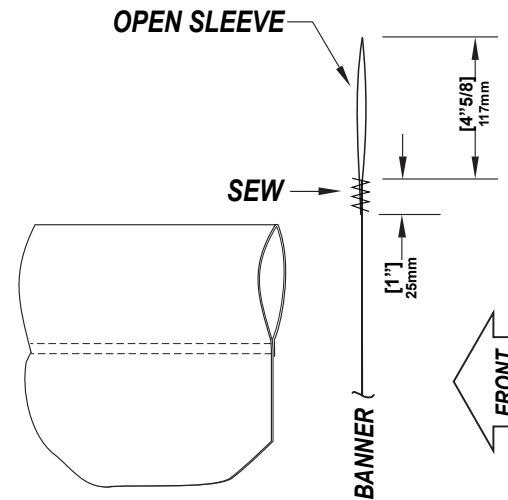
**GROMMET**



**SLEEVE FOR CABLE**



**POCKET W/ GROMMET**



**SLEEVE / POCKET**

**Details**